



YJM LIGHT CO.,LTD.

Product Specification Sheet



Commodity: LED Puck Light
Item No: YJM-DA-30A10-12V
Version No.: 0807

YJM Light Co., Ltd. Ver 0807 All Rights Reserved.

ADD: Block5,North,Shangxue Ind Park,Bantian, Longgang, Shenzhen, G.D. 518129, China



Round recessed
brushed aluminium housing
LED downlight
work with the power supply 12V directly

Feature:

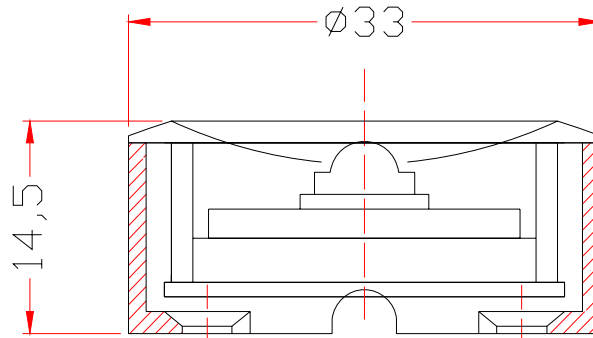
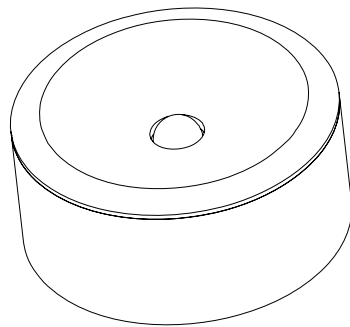
- 1) Secure built-in constant current circuit employed. Take the advantage of stability of the power supply, avoid the Led failure caused by the voltage surge, shock or other damages due to the unsteadiness of the constant current driver
- 2) High power efficiency. Conversion rate>92%, improved by 6% comparing with the conventional constant current driver.
- 3) Easy connection. Any quantity of downlight can be wired in parallel connection within the rated wattage of the Power supply, all the downlight can work separately.
- 4) Easy power supply. All the down-light can work with Quasar power supply or others available in the market.
- 5) Solid-state, high shock or vibration resistant
- 6) High output white or warm white LED
- 7) Reverse polarity protected
- 8) 5years warranty
- 9) 30degrees or other as customer' s special requirement

Application:

- 1) Home /office lighting ,display case lighting
- 2) Under cabinet lighting
- 3) Art lighting
- 4) Boat lighting, accent lighting



Dimension



Basic specification

Part No.	QL-301A-12V	
Parameter		
Dimension(mm)	$\varnothing 33 \times (H) 14.5$	$\varnothing 33 \times (H) 14.5$
Main material	Anodized aluminum	Anodized aluminum
Power consumption(W)	$1.6 \pm 10\%$	$1.6 \pm 10\%$
Input current(mA)	$140 \pm 5\%$	$140 \pm 5\%$
Input voltage(V)	12	12
LED quantity(Pc)	1	1
LED type	Normal SMD	Cree SMD
Color	White/Warm white	White/Warm white
Luminous flux(Lm)	$55 \pm 10\%$	$85 \pm 10\%$
Color temperature(K)	(W)5500-6000/(M)2800-3300	(W)5500-6000/(M)2800-3300
Rendering index	80	80
Socket type	/	/
Life expectancy(h)	50,000	50,000

YJM Light Co., Ltd. Ver 0807 All Rights Reserved.

ADD: Block5,North,Shangxue Ind Park,Bantian, Longgang,Shenzhen,G.D. 518129,China



Installation Instruction:

- 1) DC12V working directly
- 2) Operating temperatureL-35-+45degrees

Product Warranty:

The validity of the product warranty is subject to the correct storage, installation, operation and maintenance of this product. Failing to comply with the storage, installation operation and maintenance routines will make the warranty invalid.

Notice:

- 1) No pressing or striking
- 2) Transport and handle carefully
- 3) Pay attention to the voltage before using
- 4) Indoor use only
- 5) No twisting when power is on

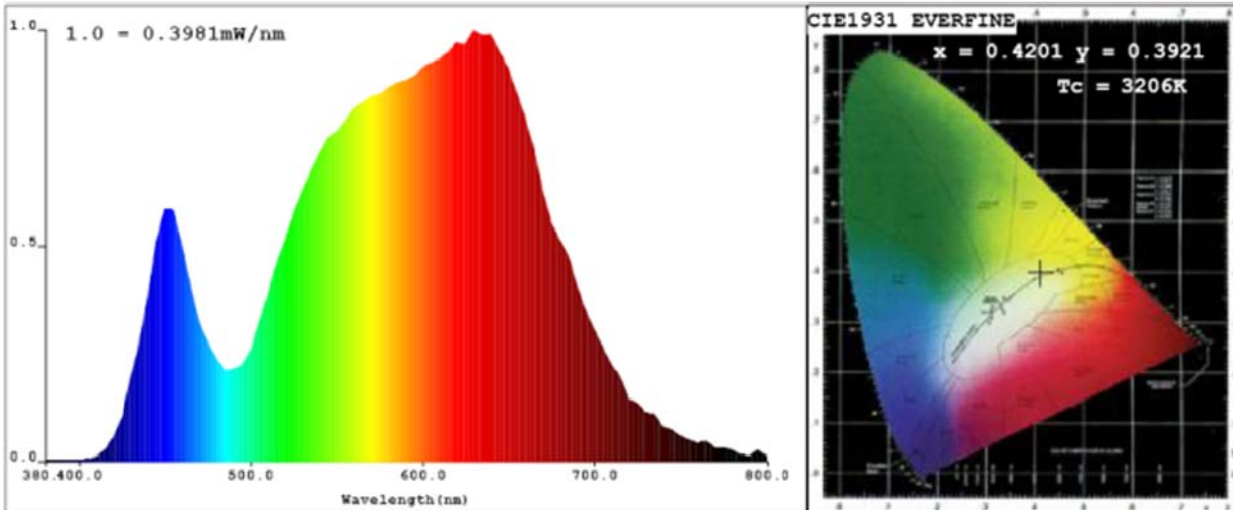
YJM Light Co.. Ltd. Ver 0807 All Rights Reserved.

ADD: Block5,North,Shangxue Ind Park,Bantian, Longgang,Shenzhen,G.D. 518129,China





Light Source Test Report



CIE Color Parameters:

Chromaticity Coordinate: $x=0.4201$ $y=0.3921$ / $u=0.2447$ $v=0.3427$ ($duv=-2.29e-003$)

CCT: $T_c = 3206K$ Prcp WaveL: $\lambda_d=582.9nm$ Purity=43.8%

Peak WaveL: $\lambda_p=630nm$ Half Width: $\Delta\lambda_p=163.1nm$ Ratio: R=22.4% G=75.1% B=2.6%

Average Wave: 595nm

Rendering Index: $R_a=81.5$

R1 =88 R2 =91 R3 =89 R4 =87 R5 =86 R6 =84 R7 =92 R8 =84

R9 =60 R10=74 R11=83 R12=66 R13=88 R14=93 R15=88

Photo Parameters:

Flux: $\Phi=51.399(lm)$ Luminous Efficacy: 30.04(lm/W) Luminous Power: $P=72.85(mW)$

Electrical Parameters:

U=12.00V I=0.1400A P=1.660W PF=0.417

Instrument Status:

Scan Range: 380.0nm-800.0nm

Interval: 5.0nm

$I_p = 4834(G=6, D=58)$

REF = 1246

TMP(PMT) = 28.6degrees centigrade Test Mode: Fast Test

Product Type:

Instrument: PMS-50 System

Temperature: 28.8deg

Test Operator: JACK-DO

Manufacturer: YJM

Test Department: YJM

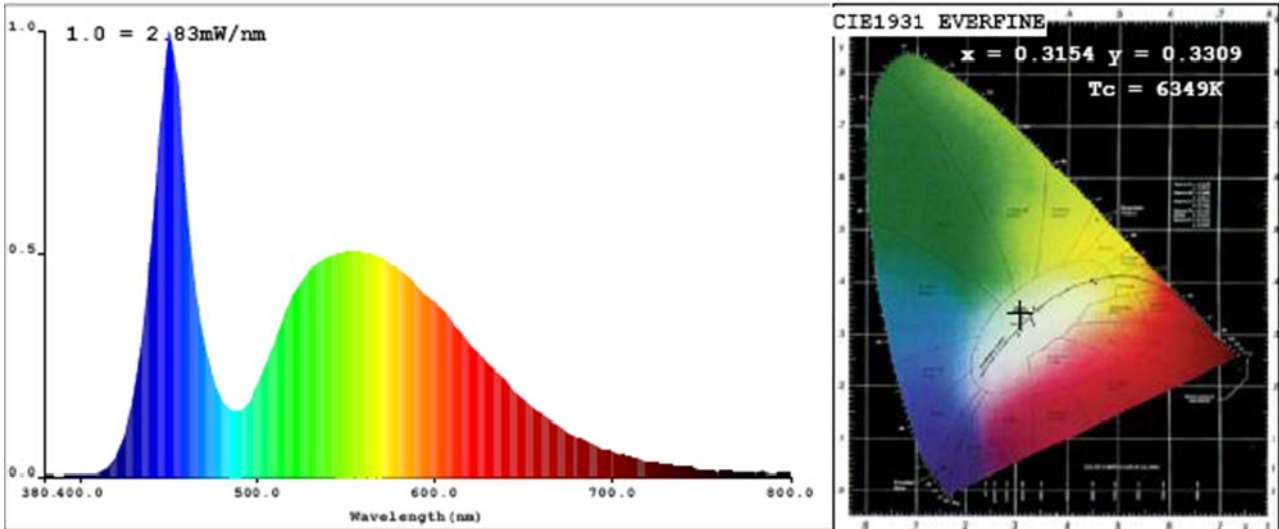
Humidity: 65.0%

Test Date: 2008-07-14 13:59

YJM Light Co., Ltd. Ver 0807 All Rights Reserved.

ADD: Block5, North, Shangxue Ind Park, Bantian, Longgang, Shenzhen, G.D. 518129, China

Light Source Test Report



CIE Color Parameters:

Chromaticity Coordinate: $x=0.3154$ $y=0.3309$ / $u=0.1990$ $v=0.3132$ ($duv=2.85e-003$)

CCT: $T_c=6349K$ Prcp WaveL: $\lambda_d=490.0nm$ Purity=6.2%

Peak WaveL: $\lambda_p=450nm$ Half Width: $\Delta\lambda_p=22.9nm$ Ratio: R=12.6% G=83.0% B=4.4%

Average Wave: 544nm

Rendering Index: $R_a=75.1$

R1 =73 R2 =79 R3 =81 R4 =75 R5 =74 R6 =70 R7 =85 R8 =65

R9 =-14 R10=48 R11=72 R12=43 R13=74 R14=89 R15=70

Photo Parameters:

Flux: $\Phi=85.133(lm)$ Luminous Efficacy: 51.04(lm/W) Luminous Power: $P=269.1(mW)$

Electrical Parameters:

$U=12.00V$ $I=0.1390A$ $P=1.668W$ $PF=1.000$

Instrument Status:

Scan Range: 380.0nm-800.0nm

Interval: 5.0nm

$I_p = 23853(G=6,D=73)$

RBF = 4502

TMP (EMT) = 30.3degrees centigrade Test Mode: Fast Test

Product Type: PB-12V-1W
Instrument: PMS-50 System
Temperature: 32.6deg
Test Operator: JACK-DO

Manufacturer: YJM
Test Department: YJM
Humidity: 65.0%
Test Date: 2008-07-31 14:44

YJM Light Co., Ltd. Ver 0807 All Rights Reserved.

ADD: Block5, North, Shangxue Ind Park, Bantian, Longgang, Shenzhen, G.D. 518129, China