



YJM LIGHT CO.,LTD.

Product Specification Sheet



Commodity: LED Bulb

Item No: YJM-E14-3x1W

Version No.: 0807

YJM Light Co., Ltd. Ver 0807 All Rights Reserved.

ADD: Block5,North,Shangxue Ind Park,Bantian, Longgang,Shenzhen,G.D. 518129,China



High power LED bulb

Idea replacement for traditional energy saving bulbs

Feature:

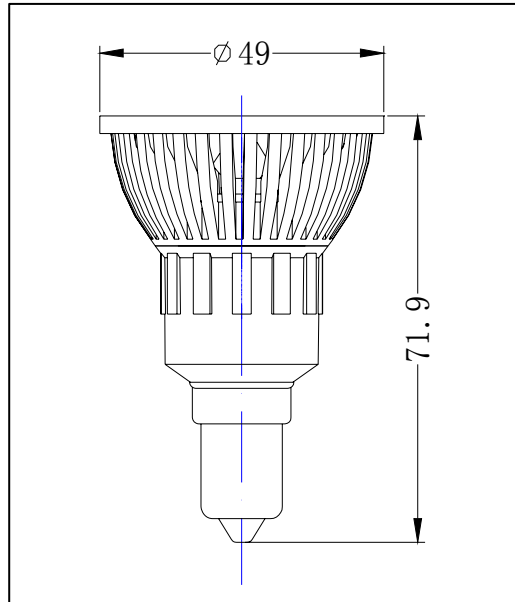
- 1) Base type: E14 BASE
- 2) Input voltage: 85V/265V AC
- 3) Full range of colors: cool white, warm white, red, blue, green and yellow
- 4) Superior thermal management with internal copper heat conductor and external aluminum housing
- 5) Light source: 1W high power LED
- 6) Luminous flux: 125 lumens(color temperature:6000K)
- 7) Beam angle: 30/60 degrees (glass lens, optical grade)
- 8) Body temperature: less than 53 degrees Celsius
- 9) LED working temperature: less than 62 degrees Celsius
- 10) Temperature: - 40 ~ 70 degrees Celsius
- 11) Brightness degradation: 3% - 5%1kh
- 12) Lifespan: 50,000 hours
- 13) No UV or IR radiation
- 14) aluminium structure and Chrome finish,porcelain base, better heat dissipation performance

Application:

Replacement bulbs for general lighting, especially for museums, art galleries, cosmetic counters where UV or IR radiation is undesirable.

Specification sheet

Dimension



Basic specification

Part No.	E14-3x1W	
Parameter	E14-3x1W	
Dimension(mm)	Φ49.5×71.9	
Main material	plating aluminium	
Power consumption(W)	4±10%	
Input current(mA)	29±5%	
Input voltage(V)	230	
LED quantity(Pc)	3	
LED type	SMD	
Color	Warm white	White
Luminous flux(Lm)	120±10%	150±10%
Color temperature(K)	2800-3300	5500-6000
Rendering index	80±5	80±5
Socket type	E14	
Weight(kg)	0.053±0.002	
Life expectancy(h)	50,000	

YJM Light Co., Ltd. Ver 0807 All Rights Reserved.

ADD: Block5,North,Shangxue Ind Park,Bantian, Longgang,Shenzhen,G.D. 518129,China



Installation Instruction:

- 1) AC85~265V working directly
- 2) Operating temperatureL-35-+45degrees

Product Warranty:

The validity of the product warranty is subject to the correct storage, installation, operation and maintenance of this product. Failing to comply with the storage, installation operation and maintenance routines will make the warranty invalid.

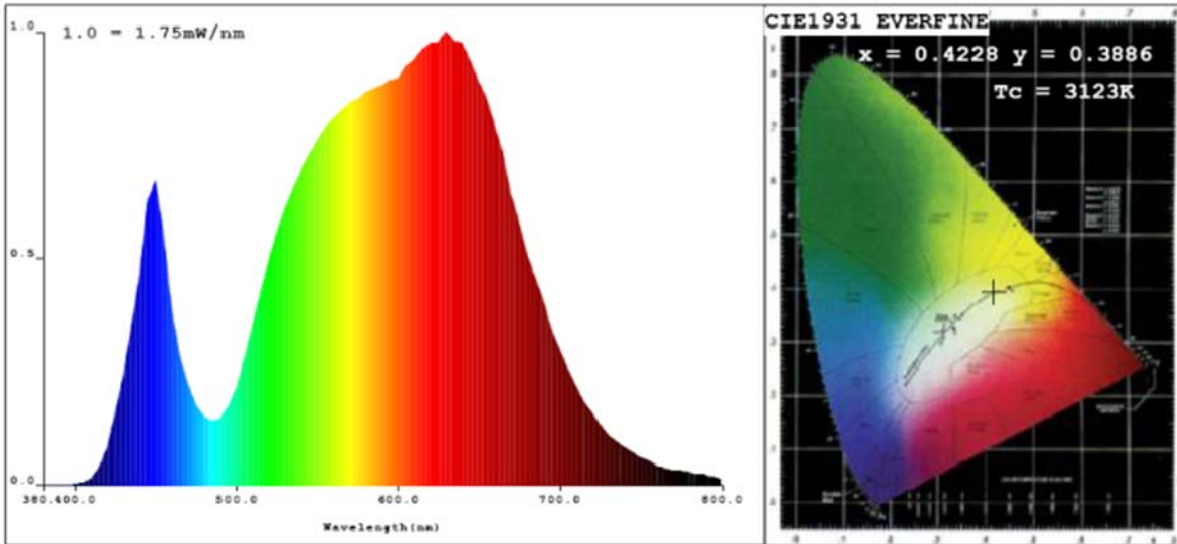
Notice:

- 1) No pressing or striking
- 2) Transport and handle carefully
- 3) Pay attention to the voltage before using
- 4) Indoor use only
- 5) No twisting when power is on

YJM Light Co., Ltd. Ver 0807 All Rights Reserved.

ADD: Block5,North,Shangxue Ind Park,Bantian, Longgang,Shenzhen,G.D. 518129,China

Light Source Test Report



CIE Color Parameters:

Chromaticity Coordinate: $x=0.4228$ $y=0.3886$ / $u=0.2481$ $v=0.3420$ ($duv=-4.26e$)

CCT: $T_c=3123K$ Prcp WaveL: $\lambda_d=584.1nm$ Purity=43.5%

Peak WaveL: $\lambda_p=630nm$ Half Width: $\Delta\lambda_p=161.2nm$ Ratio: $R=22.7\%$ $G=75.2\%$ $B=2.1\%$

Average Wave: 596nm

Rendering Index: $R_a=85.0$

$R_1=86$ $R_2=88$ $R_3=86$ $R_4=84$ $R_5=84$ $R_6=81$ $R_7=89$ $R_8=82$

$R_9=56$ $R_{10}=69$ $R_{11}=81$ $R_{12}=62$ $R_{13}=86$ $R_{14}=91$ $R_{15}=87$

Photo Parameters:

Flux: $\Phi=120.51(lm)$ Luminous Efficacy: 30.67(lm/W) Luminous Power: $P=316.4(mW)$

Electrical Parameters:

$U=238.6V$ $I=0.0290A$ $P=4.080W$ $PF=0.572$

Instrument Status:

Scan Range: 380.0nm-800.0nm

Interval: 5.0nm

$I_p=24299(G=6,D=54)$

REF = 5049

TMP(PMT) = 25.0degrees centigrade Test Mode: Fast Test

Product Type: E27-C1W3-WW-30D

Instrument: PMS-50 System

Temperature: 21.7deg

Test Operator: JACK-DO

Manufacturer: YJM

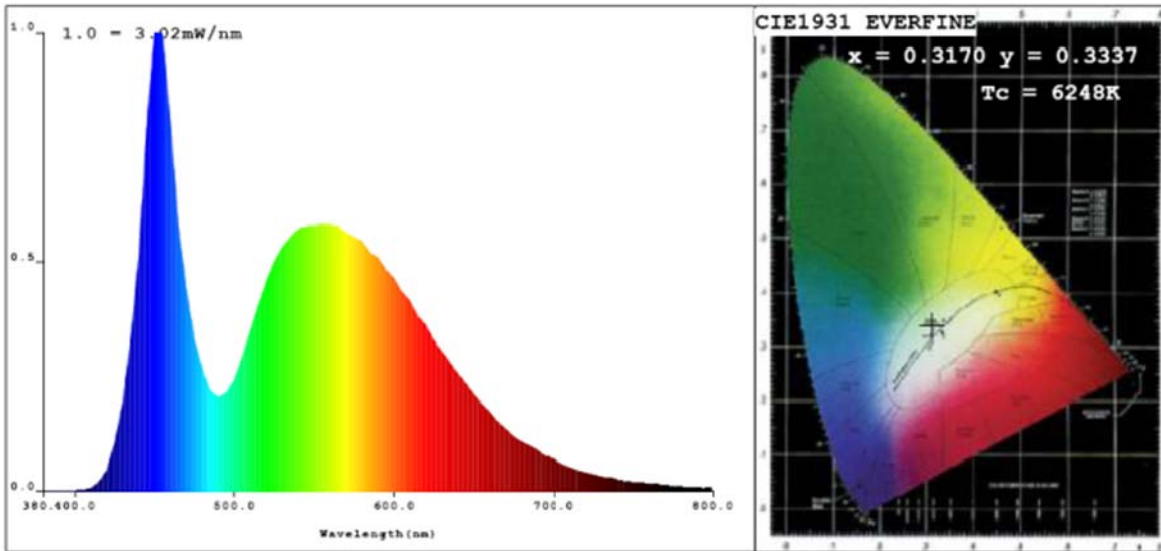
Test Department: YJM

Humidity: 65.0%

Test Date: 2008-04-02 17:30

YJM Light Co., Ltd. Ver 0807 All Rights Reserved.

ADD: Block5, North, Shangxue Ind Park, Bantian, Longgang, Shenzhen, G.D. 518129, China

Light Source Test Report**CIE Color Parameters:**

Chromaticity Coordinate: $x=0.3170$ $y=0.3337$ / $u=0.1991$ $v=0.3143$ ($duv=3.43e-$
CCT: $T_c = 6248K$ Prcp WaveL: $\lambda_d=492.0nm$ Purity=5.5%

Peak WaveL: $\lambda_p=450nm$ Half Width: $\Delta\lambda_p=28.1nm$ Ratio: R=12.9% G=82.2% B=4.9%

Average Wave: 545nm

Rendering Index: $R_a=77.4$

R1 =75 R2 =82 R3 =84 R4 =76 R5 =75 R6 =74 R7 =86 R8 =66

R9 =-8 R10=55 R11=72 R12=47 R13=77 R14=91 R15=72

Photo Parameters:

Flux: $\Phi=147.36(lm)$ Luminous Efficacy: 35.57(lm/W) Luminous Power: $P=339.2(mW)$

Electrical Parameters:

U=232.6V I=0.0210A P=4.160W PF=0.836

Instrument Status:

Scan Range: 380.0nm-800.0nm

Interval: 5.0nm

$I_p = 64540(G=6,D=52)$

REF = 5778

TMP (PMT) = 23.3degrees centigrade Test Mode: Fast Test

Product Type: E27-1W3-W-30D

Instrument: PMS-50 System

Temperature: 20.8deg

Test Operator: JACK-DO

Manufacturer: YJM

Test Department: YJM

Humidity: 65.0%

Test Date: 2008-04-03 15:19

YJM Light Co., Ltd. Ver 0807 All Rights Reserved.

ADD: Block5, North, Shangxue Ind Park, Bantian, Longgang, Shenzhen, G.D. 518129, China