



**YJM LIGHT CO.,LTD.**

**Product Specification Sheet**



**Commodity:** \_\_\_\_\_ Round Recessed LED Downlight \_\_\_\_\_

**Item No:** \_\_\_\_\_ YJM-DA-20A13 \_\_\_\_\_

**Version No.:** \_\_\_\_\_ 0807 \_\_\_\_\_

**YJM Light Co., Ltd. Ver 0807 All Rights Reserved.**

ADD: Block5,North,Shangxue Ind Park,Bantian, Longgang, Shenzhen, G.D. 518129, China



**Round recessed**  
**brushed aluminium housing**  
**LED downlight**  
**work with the power supply 12V directly**

#### Feature:

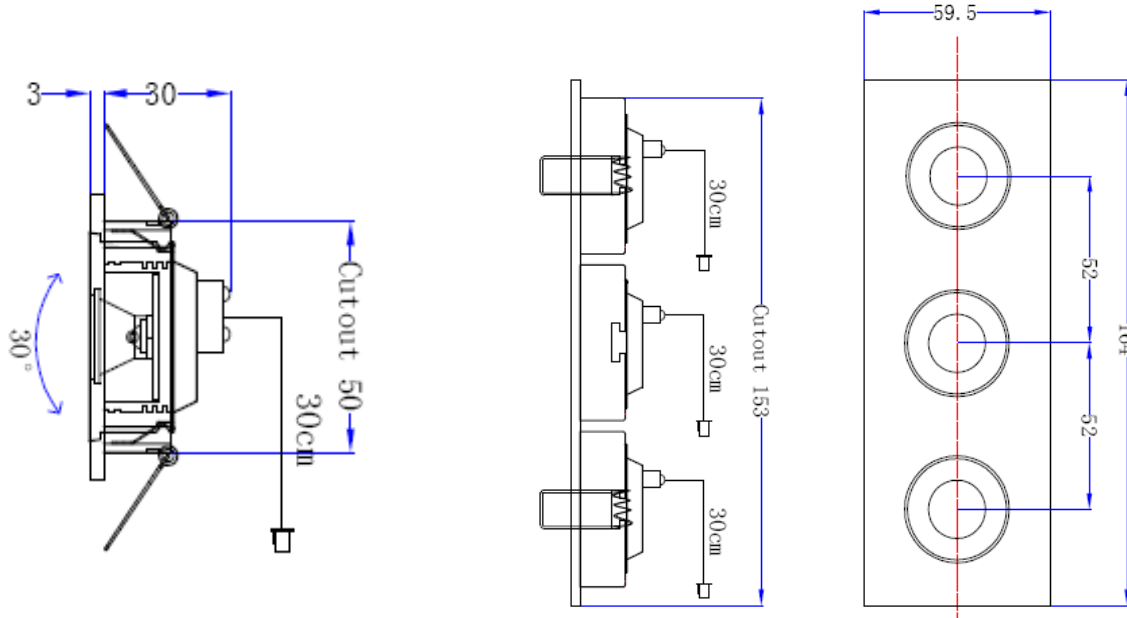
- 1) Secure built-in constant current circuit employed. Take the advantage of stability of the power supply, avoid the Led failure caused by the voltage surge, shock or other damages due to the unsteadiness of the constant current driver
- 2) High power efficiency. Conversion rate>92%, improved by 6% comparing with the conventional constant current driver.
- 3) Easy connection. Any quantity of downlight can be wired in parallel connection within the rated wattage of the Power supply, all the downlight can work separately.
- 4) Easy power supply. All the down-light can work with Quasar power supply or others available in the market.
- 5) Available in 1-unit,2-unit ,3-unit ,4-unit ,and 5-unit version
- 6) High output white or warm white LED
- 7) Reverse polarity protected
- 8) 5years warranty
- 9) 30degrees or other as customer' s special requirement

#### Application:

- 1) Home /office lighting ,display case lighting
- 2) Under cabinet lighting
- 3) Art lighting
- 4) Boat lighting, accent lighting

## Specification sheet

### Dimension



### Basic specification

Parameter	Part No.	QL-2023	
	Dimension(mm)		164*59.5*30
Main material		Anodized aluminum	Anodized aluminum
Power consumption(W)		4.8±10%	4.8±10%
Input current(mA)		420±5%	420±5%
Input voltage(V)		12	12
LED quantity(Pc)		3	3
LED type		Normal SMD	Cree SMD
Color		White/Warm white	White/Warm white
Luminous flux(Lm)		165±10%	225±10%
Color temperature(K)		(W)5500-6000/(M)2800-3300	(W)5500-6000/(M)2800-3300
Rendering index		80	80
Socket type		/	/
Life expectancy(h)		50,000	50,000

YJM Light Co., Ltd. Ver 0807 All Rights Reserved.

ADD: Block5,North,Shangxue Ind Park,Bantian, Longgang, Shenzhen, G.D. 518129,China



## Installation Instruction:

- 1) DC12V working directly
- 2) Operating temperatureL-35-+45degrees

## Product Warranty:

The validity of the product warranty is subject to the correct storage, installation, operation and maintenance of this product. Failing to comply with the storage, installation operation and maintenance routines will make the warranty invalid.

## Notice:

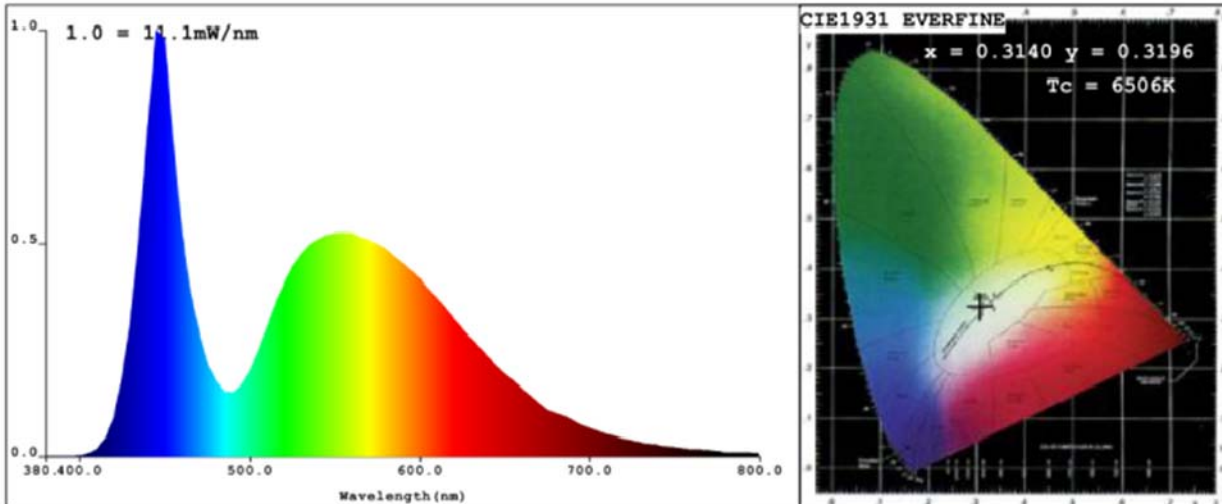
- 1) No pressing or striking
- 2) Transport and handle carefully
- 3) Pay attention to the voltage before using
- 4) Indoor use only
- 5) No twisting when power is on

**YJM Light Co., Ltd. Ver 0807 All Rights Reserved.**

ADD: Block5,North,Shangxue Ind Park,Bantian, Longgang, Shenzhen, G.D. 518129,China



## Light Source Test Report



### CIE Color Parameters:

Chromaticity Coordinate:  $x=0.3140$   $y=0.3196$   $u=0.2023$   $v=0.3089$  ( $duv=-2.35e-003$ )

CCT:  $T_c=6506K$  Prcp WaveL:  $\lambda_d=482.0nm$  Purity=7.7%

Peak WaveL:  $\lambda_p=445nm$  Half Width:  $\Delta\lambda_p=26.6nm$  Ratio: R=13.1% G=82.6% B=4.3%

Average Wave: 543nm

Rendering Index:  $R_a=79.9$

R1 =76 R2 =79 R3 =77 R4 =78 R5 =77 R6 =70 R7 =83 R8 =69

R9 =-0 R10=46 R11=75 R12=48 R13=76 R14=87 R15=74

### Photo Parameters:

Flux:  $\Phi=166.88(lm)$  Luminous Efficacy: 33.82(lm/W) Luminous Power:  $P=502.4(mW)$

### Electrical Parameters:

$U=12.00V$   $I=0.4102A$   $P=4.953W$   $PF=0.500$

### Instrument Status:

Scan Range: 380.0nm-800.0nm

Interval: 5.0nm

$I_p = 18585(G=4,D=53)$

REF = 18612

TMP (PMT) = 30.6degrees centigrade Test Mode: Fast Test

Product Type:  
Instrument: PMS-50 System  
Temperature: 32.0deg  
Test Operator: JACK-DO

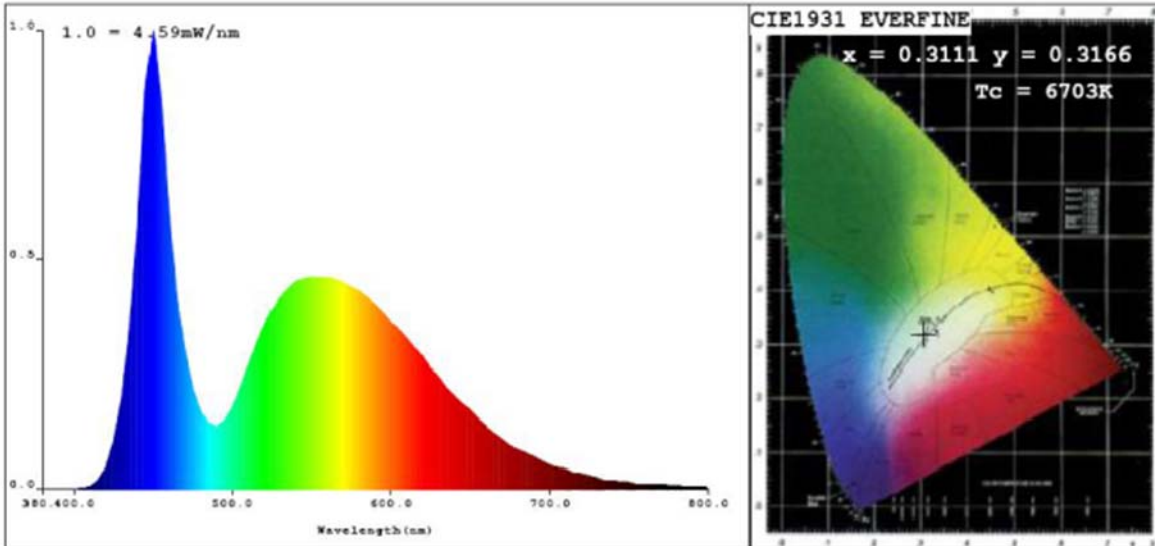
Manufacturer: YJM  
Test Department: YJM  
Humidity: 65.0%  
Test Date: 2008-07-05 10:37

YJM Light Co., Ltd. Ver 0807 All Rights Reserved.

ADD: Block5, North, Shangxue Ind Park, Bantian, Longgang, Shenzhen, G.D. 518129, China



## Light Source Test Report



### CIE Color Parameters:

Chromaticity Coordinate:  $x=0.3111$   $y=0.3166$  /  $u=0.2015$   $v=0.3075$  ( $duv=-2.53e$ )

CCT:  $T_c=6703K$  Prcp WaveL:  $\lambda_d=481.2nm$  Purity=9.0%

Peak WaveL:  $\lambda_p=450nm$  Half Width:  $\Delta\lambda_p=23.8nm$  Ratio: R=13.0% G=82.3% B=4.7%

Average Wave: 542nm

Rendering Index:  $R_a=81.3$

R1 =77 R2 =81 R3 =79 R4 =79 R5 =77 R6 =71 R7 =85 R8 =70

R9 =3 R10=50 R11=75 R12=46 R13=77 R14=88 R15=76

### Photo Parameters:

Flux:  $\Phi=217.70(lm)$  Luminous Efficacy: 47.61(lm/W) Luminous Power:  $P=519.4(mW)$

### Electrical Parameters:

U=12.00V I=0.3854A P=4.580W PF=0.517

### Instrument Status:

Scan Range: 380.0nm-800.0nm

Interval: 5.0nm

$I_p = 16369(G=5, D=52)$

REF = 6916

TMP (PMT) = 25.7degrees centigrade Test Mode: Fast Test

Product Type:  
Instrument: PMS-50 System  
Temperature: 23.1deg  
Test Operator: JACK-DO

Manufacturer: YJM  
Test Department: YJM  
Humidity: 65.0%  
Test Date: 2008-07-27 19:55

YJM Light Co., Ltd. Ver 0807 All Rights Reserved.

ADD: Block5, North, Shangxue Ind Park, Bantian, Longgang, Shenzhen, G.D. 518129, China