



YJM LIGHT CO.,LTD.

Product Specification Sheet



Commodity: _____ Round Recessed LED Downlight _____

Item No: _____ YJM-DA-20A11 _____

Version No.: _____ 0807 _____

YJM Light Co., Ltd. Ver 0807 All Rights Reserved.

ADD: Block5,North,Shangxue Ind Park,Bantian, Longgang, Shenzhen, G.D. 518129, China



**Round recessed
brushed aluminium housing
LED downlight
work with the power supply 12V directly**

Feature:

- 1) Secure built-in constant current circuit employed. Take the advantage of stability of the power supply, avoid the Led failure caused by the voltage surge, shock or other damages due to the unsteadiness of the constant current driver
- 2) High power efficiency. Conversion rate>92%, improved by 6% comparing with the conventional constant current driver.
- 3) Easy connection. Any quantity of downlight can be wired in parallel connection within the rated wattage of the Power supply, all the downlight can work separately.
- 4) Easy power supply. All the down-light can work with Quasar power supply or others available in the market.
- 5) Available in 1-unit,2-unit ,3-unit ,4-unit ,and 5-unit version
- 6) High output white or warm white LED
- 7) Reverse polarity protected
- 8) 5years warranty
- 9) 30degrees or other as customer' s special requirement

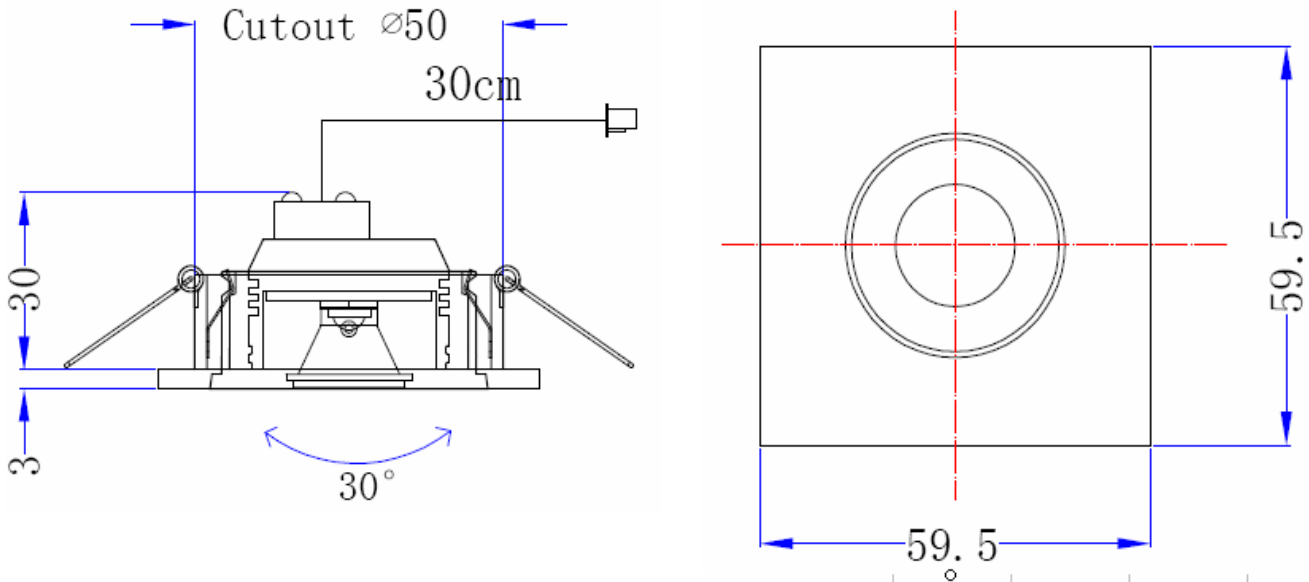
Application:

- 1) Home /office lighting ,display case lighting
- 2) Under cabinet lighting
- 3) Art lighting
- 4) Boat lighting, accent lighting

YJM Light Co., Ltd. Ver 0807 All Rights Reserved.

ADD: Block5,North,Shangxue Ind Park,Bantian, Longgang, Shenzhen, G.D. 518129, China

Dimension



Basic specification

Parameter	Part No.	QL-2021	
		59.5*59.5*30	59.5*59.5*30
Dimension(mm)		59.5*59.5*30	59.5*59.5*30
Main material		Anodized aluminum	Anodized aluminum
Power consumption(W)		1.6±10 %	1.6±10 %
Input current(mA)		140±5 %	140±5%
Input voltage(V)		12	12
LED quantity(Pc)		1	1
LED type		Normal SMD	Cree SMD
Color		White/Warm White	White/Warm White
Luminous flux(Lm)		45±10 %	65±10%
Color temperature(K)		(W)5500-6000/(M)2800-3300	(W)5500-6000/(M)2800-3300
Rendering index		80	80
Socket type		/	/
Life expectancy(h)		50,000	50,000

YJM Light Co., Ltd. Ver 0807 All Rights Reserved.

ADD: Block5,North,Shangxue Ind Park,Bantian, Longgang, Shenzhen, G.D. 518129, China



Installation Instruction:

- 1) DC12V working directly
- 2) Operating temperatureL-35-+45degrees

Product Warranty:

The validity of the product warranty is subject to the correct storage, installation, operation and maintenance of this product. Failing to comply with the storage, installation operation and maintenance routines will make the warranty invalid.

Notice:

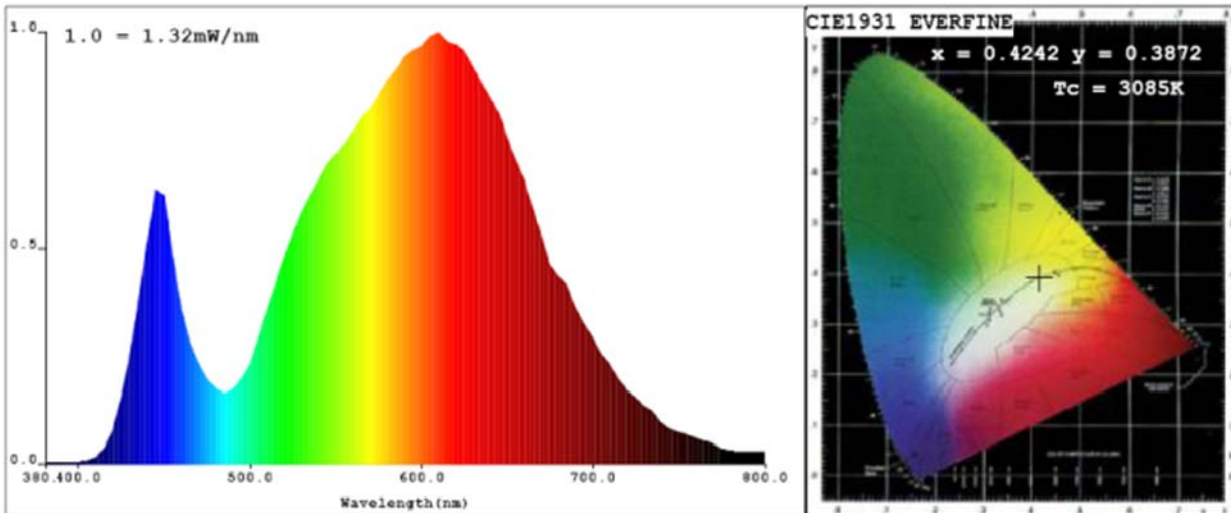
- 1) No pressing or striking
- 2) Transport and handle carefully
- 3) Pay attention to the voltage before using
- 4) Indoor use only
- 5) No twisting when power is on

YJM Light Co., Ltd. Ver 0807 All Rights Reserved.

ADD: Block5,North,Shangxue Ind Park,Bantian, Longgang, Shenzhen, G.D. 518129,China



Light Source Test Report



CIE Color Parameters:

Chromaticity Coordinate: $x=0.4242$ $y=0.3872$ / $u=0.2496$ $v=0.3418$ ($duv=-5.06e-003$)

CCT: $T_c=3085K$ Prcp WaveL: $\lambda_d=584.5nm$ Purity=43.5%

Peak WaveL: $\lambda_p=610nm$ Half Width: $\Delta\lambda_p=150.6nm$ Ratio: R=22.8% G=75.0% B=2.2%

Average Wave: 594nm

Rendering Index: $R_a=80.3$

R1 =83 R2 =89 R3 =90 R4 =82 R5 =82 R6 =83 R7 =87 R8 =71

R9 =32 R10=71 R11=79 R12=66 R13=84 R14=94 R15=81

Photo Parameters:

Flux: $\Phi=65.267(lm)$ Luminous Efficacy: 40.42(lm/W) Luminous Power: $P=231.9(mW)$

Electrical Parameters:

U=12.00V I=0.1352A P=1.627W PF=1.000

Instrument Status:

Scan Range: 380.0nm-800.0nm

Interval: 5.0nm

Ip = 11913(G=6,D=59)

REF = 3806

TMP(PMT) = 29.2degrees centigrade Test Mode: Fast Test

Product Type:
Instrument: PMS-50 System
Temperature: 28.5deg
Test Operator: JACK-DO

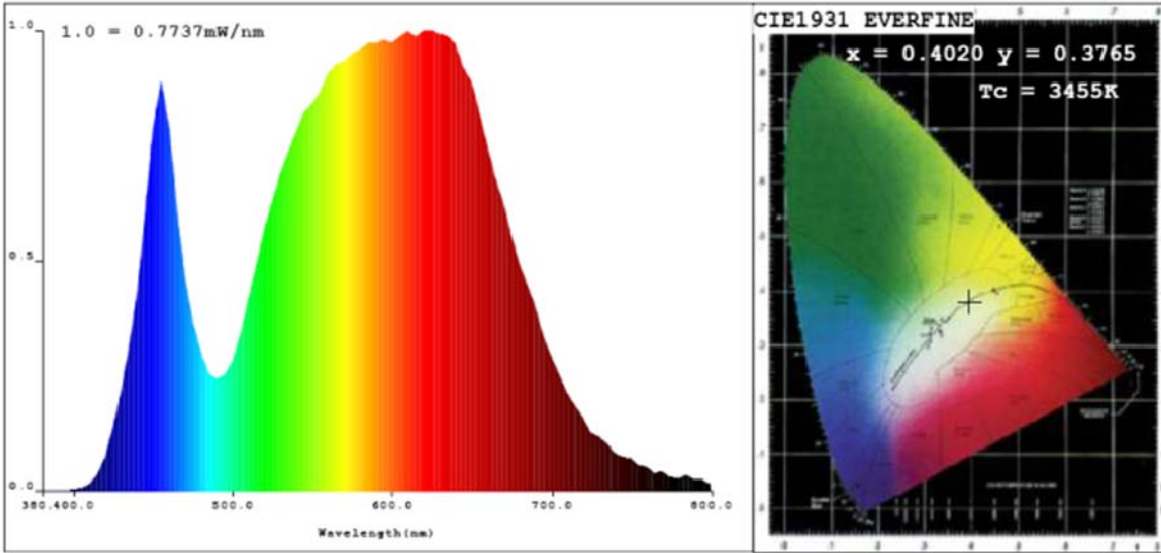
Manufacturer: YJM
Test Department: YJM
Humidity: 65.0%
Test Date: 2008-07-07 11:57

YJM Light Co., Ltd. Ver 0807 All Rights Reserved.

ADD: Block5, North, Shangxue Ind Park, Bantian, Longgang, Shenzhen, G.D. 518129, China



Light Source Test Report



CIE Color Parameters:

Chromaticity Coordinate: $x=0.4020$ $y=0.3765$ / $u=0.2395$ $v=0.3365$ ($duv=-5.63e$)
 CCT: $T_c=3455K$ Prcp WaveL: $\lambda_d=583.8nm$ Purity=33.6%
 Peak WaveL: $\lambda_p=620nm$ Half Width: $\Delta\lambda_p=163.9nm$ Ratio: $R=21.2\%$ $G=75.8\%$ $B=3.0\%$
 Average Wave: 587nm
 Rendering Index: $R_a=80.6$
 R1 =87 R2 =91 R3 =90 R4 =84 R5 =85 R6 =85 R7 =91 R8 =81
 R9 =53 R10=75 R11=79 R12=65 R13=88 R14=94 R15=87

Photo Parameters:

Flux: $\Phi=45.256(lm)$ Luminous Efficacy: 27.14(lm/W) Luminous Power: $P=153.4(mW)$

Electrical Parameters:

$U=12.00V$ $I=0.1361A$ $P=1.632W$ $PF=1.000$

Instrument Status:

Scan Range: 380.0nm-800.0nm Interval: 5.0nm $I_p = 9640(G=6, D=54)$
 REF = 2522 TMP (PMT) = 26.2degrees centigrade Test Mode: Fast Test

Product Type:
 Instrument: PMS-50 System
 Temperature: 24.0deg
 Test Operator: JACK-DO

Manufacturer: YJM
 Test Department: YJM
 Humidity: 65.0%
 Test Date: 2008-07-24 15:54

YJM Light Co., Ltd. Ver 0807 All Rights Reserved.

ADD: Block5, North, Shangxue Ind Park, Bantian, Longgang, Shenzhen, G.D. 518129, China