



YJM LIGHT CO.,LTD

www.ledyjm.com TEL:+86-755-89395678 FAX:+86-755-89580809 E-mail:sales@ledyjm.com

YJM LIGHT CO.,LTD.

Product Specification Sheet



Commodity: Power LED Bulb

Item No: YJM-GU10-C3WW

Version No.: 0807

YJM Light Co., Ltd. Ver 0807 All Rights Reserved.

ADD: Block5,North,Shangxue Ind Park,Bantian, Longgang,Shenzhen,G.D. 518129,China



High power LED bulb

Idea replacement for traditional energy saving bulbs

Feature:

- 1) Base type:GU10 base
- 2) Energy-saving and environment-friendly
- 3) Full range of colors: cool white, warm white, red, blue, green and yellow
- 4) Superior thermal management with internal copper heat conductor and external aluminum housing
- 5) Light source: Cree 3W high power LED
- 6) Luminous flux: 140lumens(color temperature:6000K)
- 7) Beam angle: 50 / 70 / 100 degrees (glass lens, optical grade)
- 8) Body temperature: less than 53 degrees Celsius
- 9) LED working temperature: less than 62 degrees Celsius
- 10) Temperature: -40 ~ 70 degrees Celsius
- 11) Brightness degradation: 3% - 5%1kh
- 12) Lifespan: 50,000 hours
- 13) No UV or IR radiation

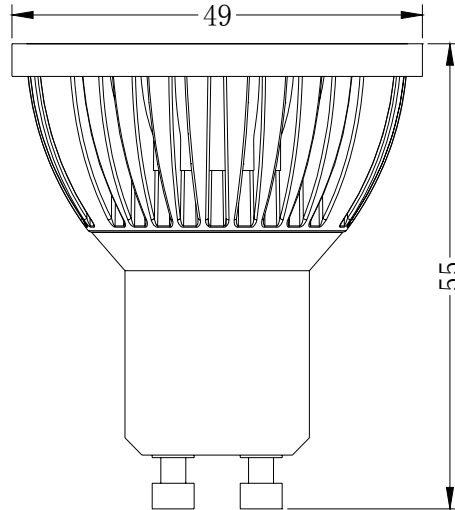
Application:

Replacement bulbs for general lighting, especially for museums, art galleries, cosmetic counters where UV or IR radiation is undesirable.



Specification sheet

Dimension



Basic specification

Part No.	GU10-C3W-W	
Parameter		
Dimension(mm)	Φ49×55	
Main material	Aluminium housing	
Power consumption(W)	4±10%	
Input current(mA)	29±5%	
Input voltage(V)	230	
LED quantity(Pc)	1	
LED type	Cree SMD	Cree SMD
Color	Warm White	White
Luminous flux(Lm)	120±10%	140±10%
Color temperature(K)	2800-3300	5500-6000
Rendering index	80±5	80±5
Socket type	G10	
Weight(kg)	/	
Life expectancy(h)	50,000	

YJM Light Co., Ltd. Ver 0807 All Rights Reserved.

ADD: Block5,North,Shangxue Ind Park,Bantian, Longgang, Shenzhen, G.D. 518129,China



Installation Instruction:

- 1) AC85~265V working directly
- 2) Operating temperatureL-35-+45degrees

Product Warranty:

The validity of the product warranty is subject to the correct storage, installation, operation and maintenance of this product. Failing to comply with the storage, installation operation and maintenance routines will make the warranty invalid.

Notice:

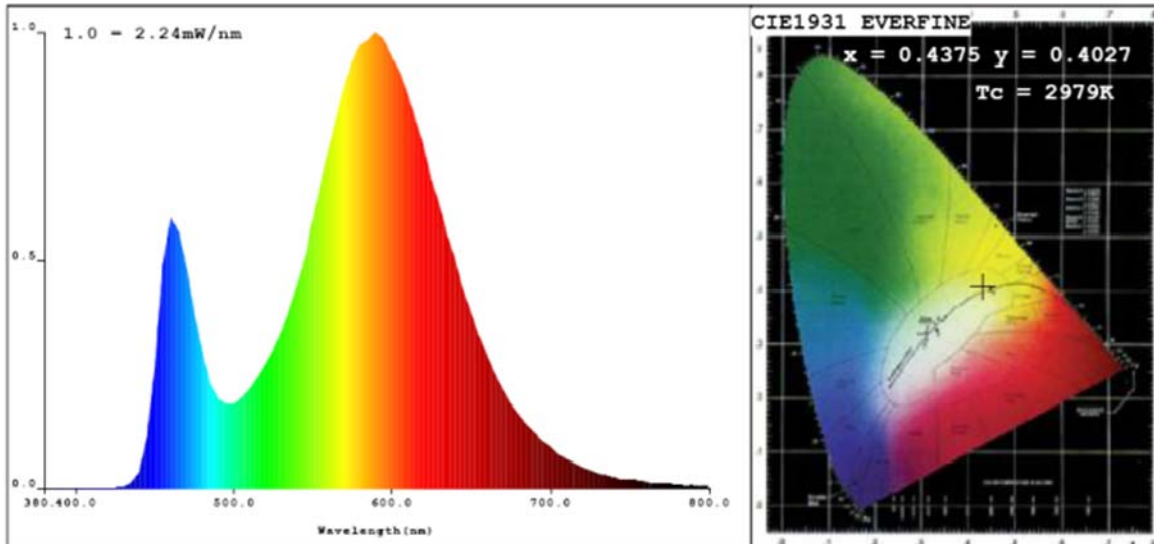
- 1) No pressing or striking
- 2) Transport and handle carefully
- 3) Pay attention to the voltage before using
- 4) Indoor use only
- 5) No twisting when power is on

YJM Light Co., Ltd. Ver 0807 All Rights Reserved.

ADD: Block5,North,Shangxue Ind Park,Bantian, Longgang,Shenzhen,G.D. 518129,China



Light Source Test Report



CIE Color Parameters:

Chromaticity Coordinate: $x=0.4375$ $y=0.4027$ / $u=0.2515$ $v=0.3473$ ($duv=-6.33$)
 CCT: $T_c=2979K$ Prcp WaveL: $\lambda_d=583.1nm$ Purity=52.2%
 Peak WaveL: $\lambda_p=590nm$ Half Width: $\Delta\lambda_p=96.1nm$ Ratio: R=20.5% G=76.5% B=3.0%
 Average Wave: 583nm

Rendering Index: $R_a=79.1$

R1 =62 R2 =86 R3 =88 R4 =53 R5 =61 R6 =79 R7 =69 R8 =31
 R9 =-52 R10=67 R11=42 R12=51 R13=68 R14=94 R15=55

Photo Parameters:

Flux: $\Phi=118.89(lm)$ Luminous Efficacy: 31.39(lm/W) Luminous Power: $P=285.4(m)$

Electrical Parameters:

$U=232.1V$ $I=0.0210A$ $P=3.720W$ $PF=0.763$

Instrument Status:

Scan Range: 380.0nm-800.0nm Interval: 5.0nm $I_p = 39401(G=6, D=53)$
 REF = 5554 TMP (PMT) = 24.8degrees centigrade Test Mode: Fast Test

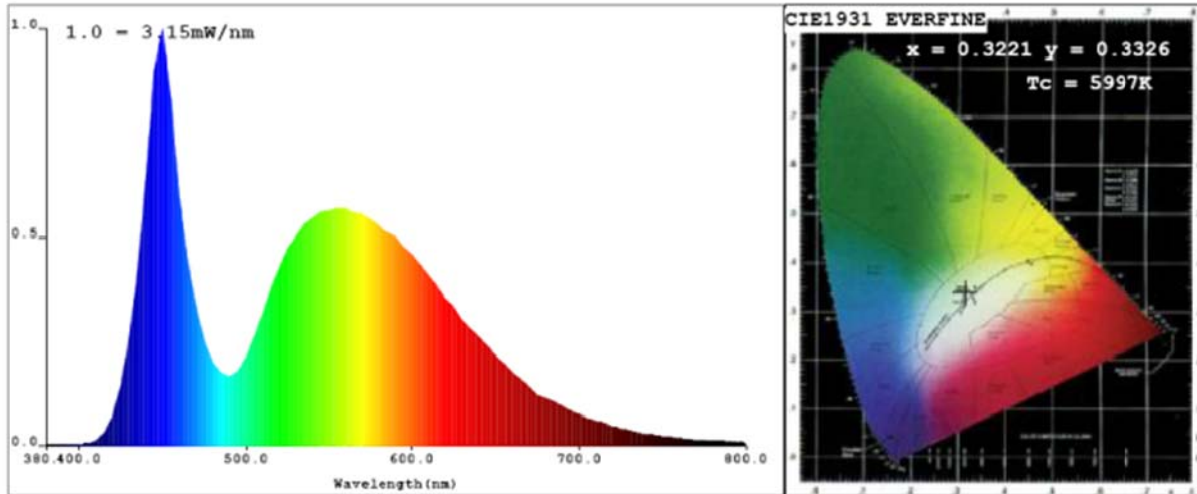
Product Type: GU10-C1W3-WW-30D
 Instrument: PMS-50 System
 Temperature: 21.8deg
 Test Operator: JACK-DO

Manufacturer: YJM
 Test Department: YJM
 Humidity: 65.0%
 Test Date: 2008-04-02 16:17

YJM Light Co., Ltd. Ver 0807 All Rights Reserved.

ADD: Block5, North, Shangxue Ind Park, Bantian, Longgang, Shenzhen, G.D. 518129, China

Light Source Test Report



CIE Color Parameters:

Chromaticity Coordinate: $x=0.3221$ $y=0.3326$ $u=0.2030$ $v=0.3144$ ($duv=3.95e-004$)

CCT: $T_c=5997K$ Prcp WaveL: $\lambda_d=490.8nm$ Purity=3.8%

Peak WaveL: $\lambda_p=450nm$ Half Width: $\Delta\lambda_p=26.3nm$ Ratio: R=13.4% G=82.4% B=4.3%

Average Wave: 547nm

Rendering Index: $R_a=80.9$

R1 =75	R2 =80	R3 =80	R4 =77	R5 =75	R6 =71	R7 =84	R8 =66
R9 =-6	R10=49	R11=72	R12=47	R13=75	R14=89	R15=72	

Photo Parameters:

Flux: $\Phi=147.86(lm)$ Luminous Efficacy: 36.06(lm/W) Luminous Power: $P=342.5(mW)$

Electrical Parameters:

$U=240.0V$ $I=0.0310A$ $P=4.100W$ $PF=0.538$

Instrument Status:

Scan Range: 380.0nm-800.0nm
REF = 5803

Interval: 5.0nm

$I_p = 52590(G=6,D=59)$

TMP(PMT) = 28.6degrees centigrade Test Mode: Fast Test

Product Type: GUI0-C1W3-W-60D
Instrument: PMS-50 System
Temperature: 27.2deg
Test Operator: JACK-DO

Manufacturer: YJM
Test Department: YJM
Humidity: 65.0%
Test Date: 2008-05-29 11:54

YJM Light Co.. Ltd. Ver 0807 All Rights Reserved.

ADD: Block5, North, Shangxue Ind Park, Bantian, Longgang, Shenzhen, G.D. 518129, China