



**YJM LIGHT CO.,LTD.**

**Product Specification Sheet**



**Commodity:** \_\_\_\_\_ **Power LED Bulb** \_\_\_\_\_  
**Item No:** \_\_\_\_\_ **YJM-GU10-1W3** \_\_\_\_\_  
**Version No.:** \_\_\_\_\_ **0807** \_\_\_\_\_

**YJM Light Co., Ltd. Ver 0807 All Rights Reserved.**

ADD: Block5,North,Shangxue Ind Park,Bantian, Longgang, Shenzhen, G.D. 518129,China



## High power LED bulb Idea replacement for traditional energy saving bulbs

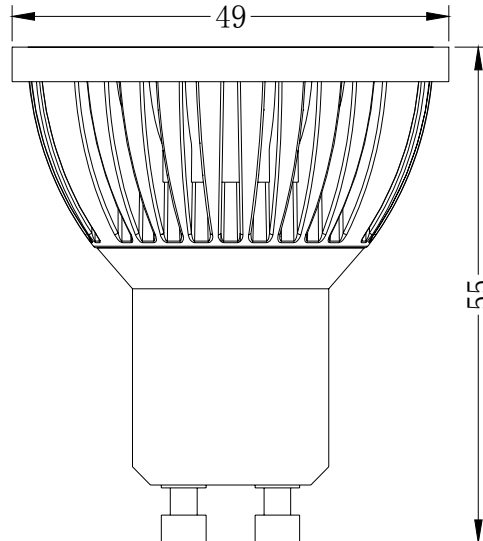
### Feature:

- 1) Base type:GU10 base
- 2) Energy-saving and environment-friendly
- 3) Full range of colors: cool white, warm white, red, blue, green and yellow
- 4) Superior thermal management with internal copper heat conductor and external aluminum housing
- 5) Light source: Edison 1W high power LED
- 6) Luminous flux: 150lumens(color temperature:6000K)
- 7) Beam angle: 30/60 degrees (glass lens, optical grade)
- 8) Body temperature: less than 53 degrees Celsius
- 9) LED working temperature: less than 62 degrees Celsius
- 10) Temperature: -40 ~ 70 degrees Celsius
- 11) Brightness degradation: 3% - 5%1kh
- 12) Lifespan: 50,000 hours
- 13) No UV or IR radiation
- 14) aluminium structure and Chrome finish,porcelain base, better heat dissipation performance

### Application:

Replacement bulbs for general lighting, especially for museums, art galleries, cosmetic counters where UV or IR radiation is undesirable.

### Dimension



### Basic specification

Part No.	GU10-1W3	
Parameter		
Dimension(mm)	Φ49×55	
Main material	plating aluminium	
Power consumption(W)	4±10%	
Input current(mA)	29±5%	
Input voltage(V)	230	
LED quantity(Pc)	3	
LED type	High power SMD	
Color	Warm White	White
Luminous flux(Lm)	120±10%	150±10%
Color temperature(K)	2800-3300	5500-6000
Rendering index	80±5	
Socket type	G10	
Weight(kg)	0.051±0.002	
Life expectancy(h)	50,000	

YJM Light Co., Ltd. Ver 0807 All Rights Reserved.

ADD: Block5,North,Shangxue Ind Park,Bantian, Longgang,Shenzhen,G.D. 518129,China



## Installation Instruction:

- 1) AC85~265V working directy
- 2) Operating temperatureL-35-+45degrees

## Product Warranty:

The validity of the product warranty is subject to the correct storage, installation, operation and maintenance of this product. Failing to comply with the storage, installation operation and maintenance routines will make the warranty invalid.

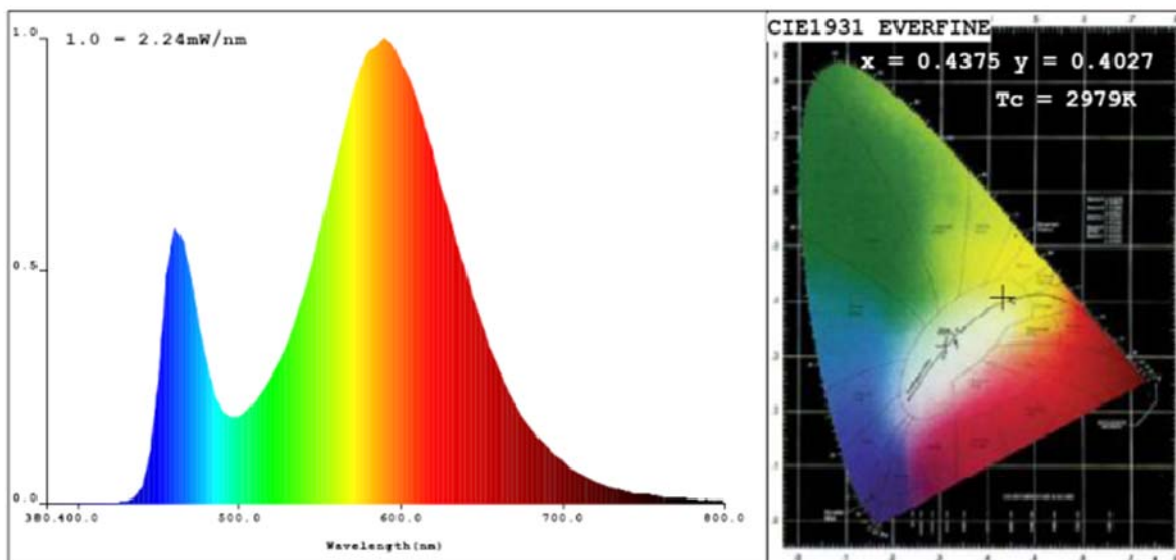
## Notice:

- 1) No pressing or striking
- 2) Transport and handle carefully
- 3) Pay attention to the voltage before using
- 4) Indoor use only
- 5) No twisting when power is on

**YJM Light Co., Ltd. Ver 0807 All Rights Reserved.**

ADD: Block5,North,Shangxue Ind Park,Bantian, Longgang,Shenzhen,G.D. 518129,China

## Light Source Test Report



### CIE Color Parameters:

Chromaticity Coordinate:  $x=0.4375$   $y=0.4027$  /  $u=0.2515$   $v=0.3473$  ( $duv=-6.33$ )

CCT:  $T_c=2979K$  Prcp WaveL:  $\lambda_d=583.1nm$  Purity=52.2%

Peak WaveL:  $\lambda_p=590nm$  Half Width:  $\Delta\lambda_p=96.1nm$  Ratio: R=20.5% G=76.5% B=3.0%

Average Wave: 583nm

Rendering Index:  $R_a=79.1$

R1 =62 R2 =86 R3 =88 R4 =53 R5 =61 R6 =79 R7 =69 R8 =31

R9 =-52 R10=67 R11=42 R12=51 R13=68 R14=94 R15=55

### Photo Parameters:

Flux:  $\Phi=118.89(lm)$  Luminous Efficacy: 31.39(lm/W) Luminous Power:  $P=285.4(mW)$

### Electrical Parameters:

$U=232.1V$   $I=0.0210A$   $P=3.720W$   $PF=0.763$

### Instrument Status:

Scan Range: 380.0nm-800.0nm

Interval: 5.0nm

$I_p = 39401(G=6, D=53)$

REF = 5554

TMP (PMT) = 24.8degrees centigrade Test Mode: Fast Test

Product Type: GU10-C1W3-WW-30D

Manufacturer: YJM

Instrument: PMS-50 System

Test Department: YJM

Temperature: 21.8deg

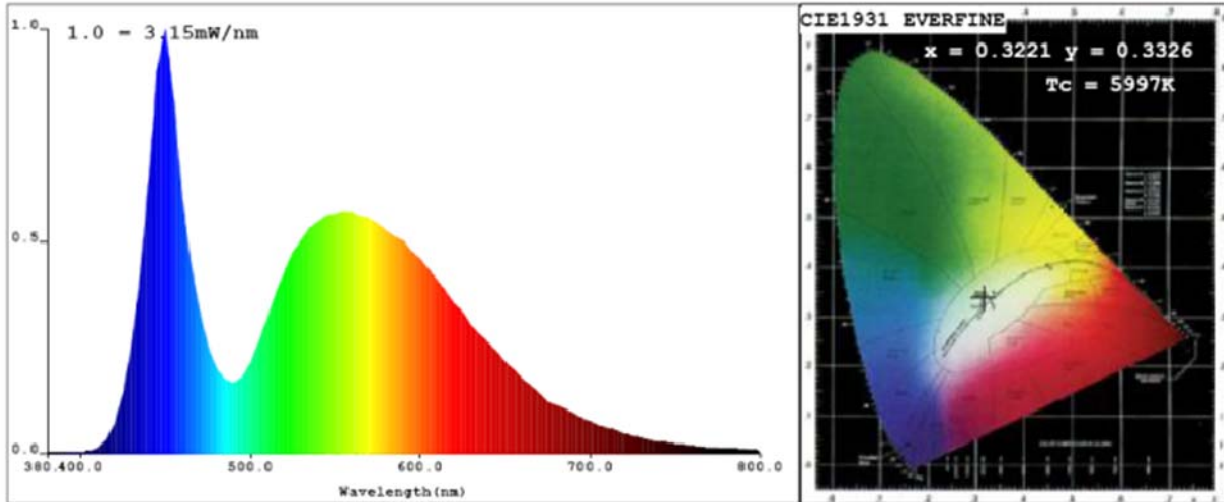
Humidity: 65.0%

Test Operator: JACK-DO

Test Date: 2008-04-02 16:17

YJM Light Co., Ltd. Ver 0807 All Rights Reserved.

## Light Source Test Report



### CIE Color Parameters:

Chromaticity Coordinate:  $x=0.3221$   $y=0.3326$   $u=0.2030$   $v=0.3144$  ( $duv=3.95e-004$ )

CCT:  $T_c = 5997K$  Prcp WaveL:  $\lambda_d = 490.8nm$  Purity=3.8%

Peak WaveL:  $\lambda_p = 450nm$  Half Width:  $\Delta\lambda_p = 26.3nm$  Ratio: R=13.4% G=82.4% B=4.3%

Average Wave: 547nm

Rendering Index:  $R_a = 80.9$

R1 =75 R2 =80 R3 =80 R4 =77 R5 =75 R6 =71 R7 =84 R8 =66

R9 =-6 R10=49 R11=72 R12=47 R13=75 R14=89 R15=72

### Photo Parameters:

Flux:  $\Phi = 147.86(lm)$  Luminous Efficacy: 36.06(lm/W) Luminous Power:  $P = 342.5(mW)$

### Electrical Parameters:

$U = 240.0V$   $I = 0.0310A$   $P = 4.100W$   $PF = 0.538$

### Instrument Status:

Scan Range: 380.0nm-800.0nm

Interval: 5.0nm

$I_p = 52590(G=6, D=59)$

REF = 5803

TMP(PMT) = 28.6degrees centigrade Test Mode: Fast Test

Product Type: GUI0-C1W3-W-60D  
Instrument: PMS-50 System  
Temperature: 27.2deg  
Test Operator: JACK-DO

Manufacturer: YJM  
Test Department: YJM  
Humidity: 65.0%  
Test Date: 2008-05-29 11:54

YJM Light Co., Ltd. Ver 0807 All Rights Reserved.

ADD: Block5, North, Shangxue Ind Park, Bantian, Longgang, Shenzhen, G.D. 518129, China