



**YJM LIGHT CO.,LTD**

www.ledyjm.com TEL:+86-755-89395678 FAX:+86-755-89580809 E-mail:sales@ledyjm.com

**YJM LIGHT CO.,LTD.**

## Product Specification Sheet



Commodity: Power LED Bulb

Item No: YJM- MR16-C3W

Version No.: 0807

**YJM Light Co., Ltd. Ver 0807 All Rights Reserved.**

ADD: Block5,North,Shangxue Ind Park,Bantian, Longgang,Shenzhen,G.D. 518129,China



## High power LED bulb

### Idea replacement for traditional energy saving bulbs

#### Feature:

- 1) Base type:MR16 base
- 2) Energy-saving and environment-friendly
- 3) Full range of colors: cool white, warm white, red, blue, green and yellow
- 4) Superior thermal management with internal copper heat conductor and external aluminum housing
- 5) Beam angle: 50 / 70 / 100 degrees (glass lens, optical grade)
- 6) Body temperature: less than 53 degrees Celsius
- 7) LED working temperature: less than 62 degrees Celsius
- 8) Temperature: -40 ~ 70 degrees Celsius
- 9) Brightness degradation: 3% - 5%1kh
- 10) No UV or IR radiation

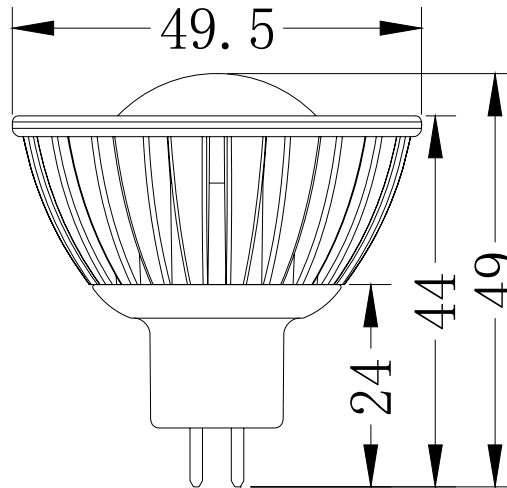
#### Application:

Replacement bulbs for general lighting, especially for museums, art galleries, cosmetic counters where UV or IR radiation is undesirable.



## Specification sheet

### Dimension



### Basic specification

Part No.	MR16-CW3-W	
Parameter	MR16-CW3-W	
Dimension(mm)	Φ49.5×44	
Main material	Aluminium hosing	
Power consumption(W)	4±10%	
Input current(mA)	330±5%	
Input voltage(V)	DC12	
LED quantity(Pc)	1	
LED type		Cree SMD
Color	Warm White	White
Luminous flux(Lm)	120±10%	140±10%
Color temperature(K)	2800-3300	5500-6000
Rendering index	82±5	82±5
Socket type	Mr16	
Weight(kg)	/	
Life expectancy(h)	50,000	

YJM Light Co., Ltd. Ver 0807 All Rights Reserved.

ADD: Block5,North, Shangxue Ind Park,Bantian, Longgang, Shenzhen, G.D. 518129, China



## Installation Instruction:

- 1)AC/DC12V working directly
- 2) Operating temperature : -35-+45degrees

## Product Warranty:

The validity of the product warranty is subject to the correct storage, installation, operation and maintenance of this product. Failing to comply with the storage, installation operation and maintenance routines will make the warranty invalid.

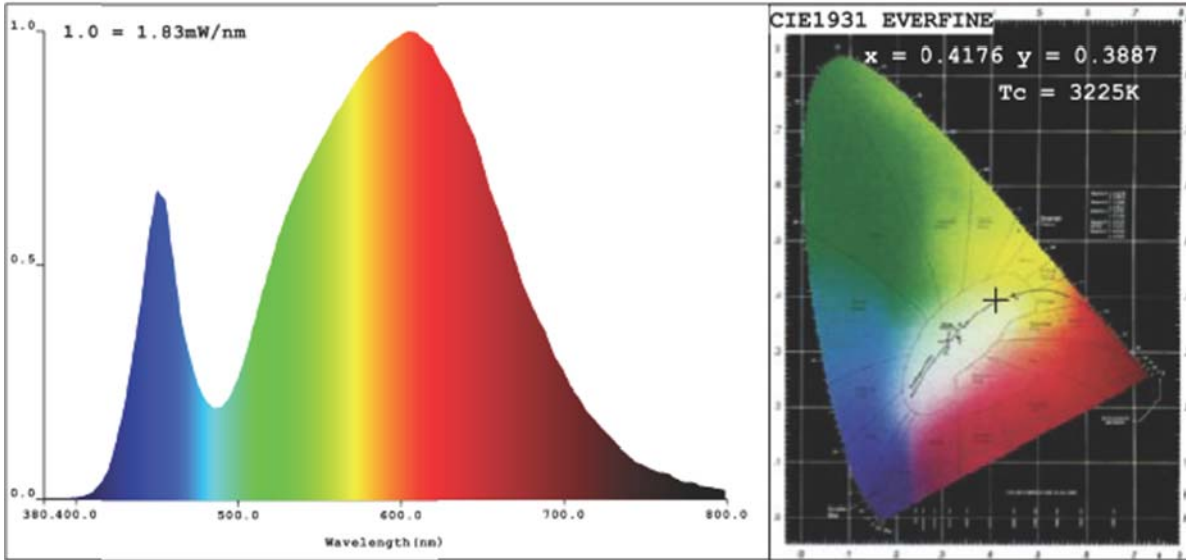
## Notice:

- 1) No pressing or striking
- 2) Transport and handle carefully
- 3) Pay attention to the voltage before using
- 4) Indoor use only
- 5) No twisting when power is on

**YJM Light Co., Ltd. Ver 0807 All Rights Reserved.**

ADD: Block5,North,Shangxue Ind Park,Bantian, Longgang,Shenzhen,G.D. 518129,China

## Light Source Test Report



### CIE Color Parameters:

Chromaticity Coordinate:  $x=0.4176$   $y=0.3887$  /  $u=0.2446$   $v=0.3415$  ( $duv=-3.33e$ )

CCT:  $T_c = 3225K$  Prcp WaveL:  $\lambda_d = 583.3nm$  Purity=42.0%

Peak WaveL:  $\lambda_p = 605nm$  Half Width:  $\Delta\lambda_p = 151.4nm$  Ratio: R=21.7% G=75.8% B=2.5%

Average Wave: 590nm

Rendering Index:  $R_a = 82.5$

R1 =82 R2 =88 R3 =91 R4 =80 R5 =80 R6 =82 R7 =87 R8 =69

R9 =26 R10=70 R11=76 R12=62 R13=83 R14=94 R15=79

### Photo Parameters:

Flux:  $\Phi = 116.68$  (lm) Luminous Efficacy: 29.18 (lm/W) Luminous Power:  $P = 326.7$  (mW)

### Electrical Parameters:

$U = 12.00V$   $I = 0.3299A$   $P = 3.959W$  PF=1.000

### Instrument Status:

Scan Range: 380.0nm-800.0nm Interval: 5.0nm  $I_p = 25804$  (G=6, D=54)  
 REF = 5432 TMP (PMT) = 24.7degrees centigrade Test Mode: Fast Test

Product Type: RM16-C3W-WW-70D

Instrument: PMS-50 System

Temperature: 21.4deg

Manufacturer: YJM

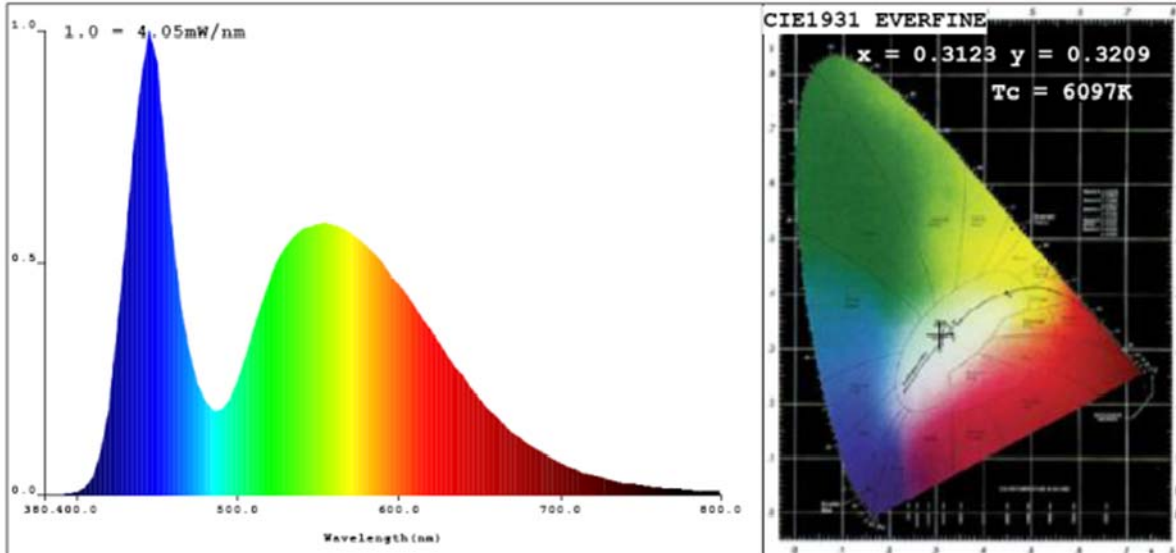
Test Department: YJM

Humidity: 65.0%

YJM Light Co., Ltd. Ver 0807 All Rights Reserved.

ADD: Block5, North, Shangxue Ind Park, Bantian, Longgang, Shenzhen, G.D. 518129, China

## Light Source Test Report



### CIE Color Parameters:

Chromaticity Coordinate:  $x=0.3123$   $y=0.3209$  /  $u=0.2006$   $v=0.3092$  ( $duv=-7.91\%$ )  
 CCT:  $T_c=6097K$  Prcp WaveL:  $\lambda_d=483.7nm$  Purity=8.2%  
 Peak WaveL:  $\lambda_p=445nm$  Half Width:  $\Delta\lambda_p=32.3nm$  Ratio: R=12.8% G=82.9% B=4.3%  
 Average Wave: 541nm  
 Rendering Index:  $R_a=78.3$   
 R1 =75 R2 =77 R3 =77 R4 =78 R5 =76 R6 =70 R7 =82 R8 =68  
 R9 =-4 R10=44 R11=76 R12=52 R13=74 R14=86 R15=72

### Photo Parameters:

Flux:  $\Phi=141.53(lm)$  Luminous Efficacy: 41.32(lm/W) Luminous Power:  $P=468.5(mW)$

### Electrical Parameters:

$U=12.00V$   $I=0.2854A$   $P=3.425W$   $PF=1.000$

### Instrument Status:

Scan Range: 380.0nm-800.0nm Interval: 5.0nm  $I_p = 19368(G=5,D=52)$   
 REF = 7656 TMP (PMT) = 24.7degrees centigrade Test Mode: Fast Test

Product Type: RM16-C3W-W-70D  
 Instrument: PMS-50 System  
 Temperature: 21.4deg  
 Test Operator: JCK-DC

Manufacturer: YJM  
 Test Department: YJM  
 Humidity: 65.0%  
 Test Date: 2008-04-02 10:30

YJM Light Co., Ltd. Ver 0807 All Rights Reserved.

ADD: Block5, North, Shangxue Ind Park, Bantian, Longgang, Shenzhen, G.D. 518129, China