



YJM LIGHT CO.,LTD

www.ledyjm.com TEL:+86-755-89395678 FAX:+86-755-89580809 E-mail:sales@ledyjm.com

YJM LIGHT CO.,LTD.

Product Specification Sheet



Commodity: Power LED Bulb
Item No: YJM- MR16-1W3
Version No.: 0807

YJM Light Co., Ltd. Ver 0807 All Rights Reserved.

ADD: Block5,North,Shangxue Ind Park,Bantian, Longgang, Shenzhen, G.D. 518129,China



High power LED bulb

Idea replacement for traditional energy saving bulbs

Feature:

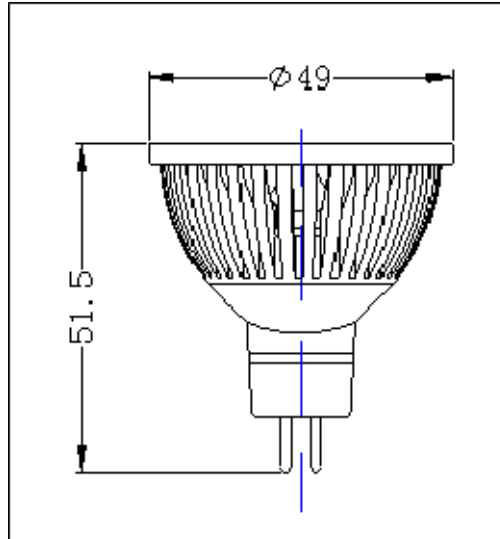
- 1) Base type:MR16 base
- 2) Energy-saving and environment-friendly
- 3) Full range of colors: cool white, warm white, red, blue, green and yellow
- 4) Superior thermal management with internal copper heat conductor and external aluminum housing
- 5) Beam angle: 30/60 degrees (glass lens, optical grade)
- 6) Body temperature: less than 53 degrees Celsius
- 7) LED working temperature: less than 62 degrees Celsius
- 8) Temperature: -40 ~ 70 degrees Celsius
- 9) Brightness degradation: 3% - 5%1kh
- 10) No UV or IR radiation
- 11) aluminium structure and Chrome finish,porcelain base, better heat dissipation performance

Application:

Replacement bulbs for general lighting, especially for museums, art galleries, cosmetic counters where UV or IR radiation is undesirable.



Dimension



Basic specification

Part No.	MR16-1W3	
Parameter	MR16-1W3	
Dimension(mm)	Φ49×51.5	
Main material	plating aluminium	
Power consumption(W)	4±10%	
Input current(mA)	300±5%	
Input voltage(V)	DC12	
LED quantity(Pc)	3	
LED type	High power SMD	Cree SMD
Color	Warm White/White	White
Luminous flux(Lm)	120/150	195/225
Color temperature(K)	2800-3300/5500-6000	2800-3300/5500-6000
Rendering index	82±5	82±5
Socket type	Mr16	
Weight(kg)	0.043±0.002	
Life expectancy(h)	50,000	

YJM Light Co., Ltd. Ver 0807 All Rights Reserved.

ADD: Block5,North,Shangxue Ind Park,Bantian, Longgang, Shenzhen,G.D. 518129,China



Installation Instruction:

- 1)AC/DC12V working directly
- 2) Operating temperature : -35-+45degrees

Product Warranty:

The validity of the product warranty is subject to the correct storage, installation, operation and maintenance of this product. Failing to comply with the storage, installation operation and maintenance routines will make the warranty invalid.

Notice:

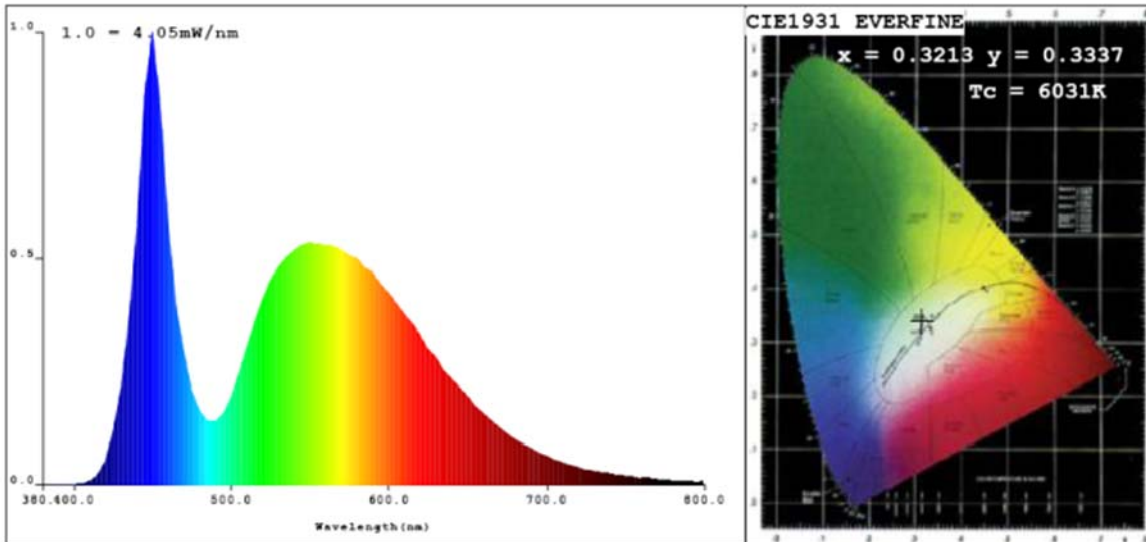
- 1) No pressing or striking
- 2) Transport and handle carefully
- 3) Pay attention to the voltage before using
- 4) Indoor use only
- 5) No twisting when power is on

YJM Light Co., Ltd. Ver 0807 All Rights Reserved.

ADD: Block5,North,Shangxue Ind Park,Bantian, Longgang,Shenzhen,G.D. 518129,China



Light Source Test Report



CIE Color Parameters:

Chromaticity Coordinate: $x=0.3213$ $y=0.3337$ / $u=0.2021$ $v=0.3147$ ($duv=1.34e$)
 CCT: $T_c=6031K$ Prcp WaveL: $\lambda_d=492.1nm$ Purity=4.0%
 Peak WaveL: $\lambda_p=450nm$ Half Width: $\Delta\lambda_p=23.7nm$ Ratio: R=13.1% G=82.8% B=4.1%
 Average Wave: 547nm
 Rendering Index: $R_a=78.0$
 R1 =73 R2 =79 R3 =80 R4 =76 R5 =74 R6 =70 R7 =84 R8 =65
 R9 =-11 R10=47 R11=72 R12=44 R13=74 R14=88 R15=71

Photo Parameters:

Flux: $\Phi=149.08(lm)$ Luminous Efficacy: 38.85(lm/W) Luminous Power: $P=409.1(m)$

Electrical Parameters:

U=12.00V I=0.2769A P=3.823W PF=1.000

Instrument Status:

Scan Range: 380.0nm-800.0nm Interval: 5.0nm Ip = 19587(G=5,D=51)
 REF = 6986 TMP(PMT) = 23.4degrees centigrade Test Mode: Fast Test

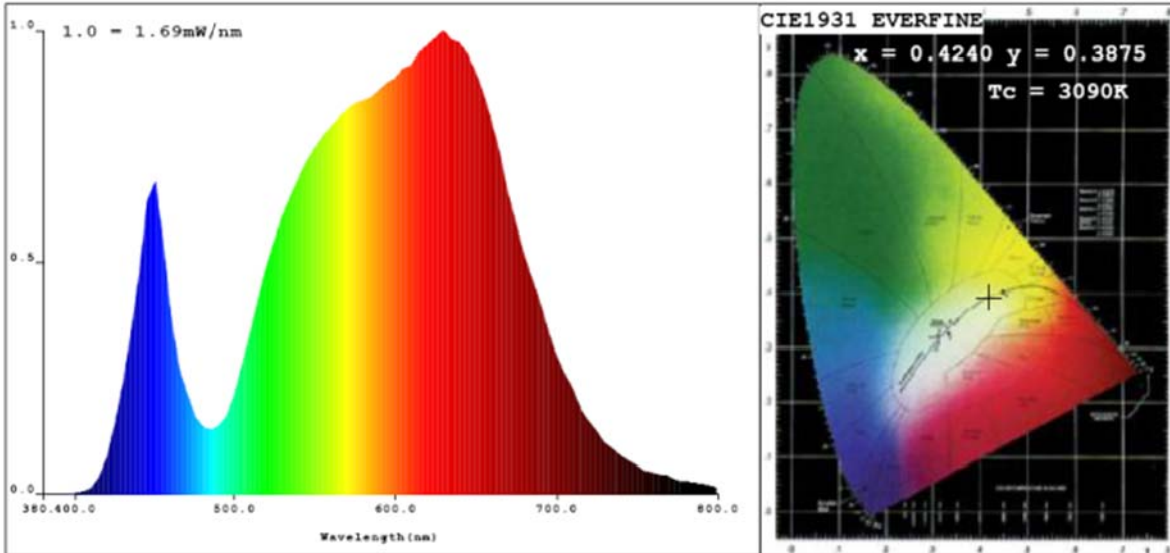
Product Type: MR16-C3W-WW-30D
 Instrument: PMS-50 System
 Temperature: 20.8deg
 Test Operator: JACK-DO

Manufacturer: YJM
 Test Department: YJM
 Humidity: 65.0%
 Test Date: 2008-04-03 15:26

YJM Light Co., Ltd. Ver 0807 All Rights Reserved.

ADD: Block5,North, Shangxue Ind Park, Bantian, Longgang, Shenzhen, G.D. 518129, China

Light Source Test Report



CIE Color Parameters:

Chromaticity Coordinate: $x=0.4240$ $y=0.3875$ / $u=0.2494$ $v=0.3418$ ($duv=-4.93e$)
 CCT: $T_c=3090K$ Prcp WaveL: $\lambda_d=584.5nm$ Purity=43.6%
 Peak WaveL: $\lambda_p=630nm$ Half Width: $\Delta\lambda_p=161.2nm$ Ratio: R=23.0% G=74.9% B=2.1%
 Average Wave: 597nm
 Rendering Index: $R_a=85.5$
 R1 =87 R2 =89 R3 =86 R4 =85 R5 =84 R6 =82 R7 =89 R8 =82
 R9 =58 R10=70 R11=81 R12=63 R13=87 R14=91 R15=87

Photo Parameters:

Flux: $\Phi=120.29(lm)$ Luminous Efficacy: 32.45(lm/W) Luminous Power: $P=304.4(mW)$

Electrical Parameters:

$U=12.00V$ $I=0.3137A$ $P=3.764W$ $PF=1.000$

Instrument Status:

Scan Range: 380.0nm-800.0nm Interval: 5.0nm $I_p = 21605(G=6, D=54)$
 REF = 4824 TMP (PMT) = 24.7degrees centigrade Test Mode: Fast Test

Product Type: RM16-C1W3-WW-30D	Manufacturer: YJM
Instrument: PMS-50 System	Test Department: YJM
Temperature: 21.4deg	Humidity: 65.0%
Test Operator: JACK-DO	Test Date: 2008-04-02 19:28

YJM Light Co., Ltd. Ver 0807 All Rights Reserved.

ADD: Block5, North, Shangxue Ind Park, Bantian, Longgang, Shenzhen, G.D. 518129, China